

| | |
|---------------|------------------------------|
| Customer: | Order Reference: |
| Address: | Delivery / shipping address: |
| Postcode: | Postcode: |
| Contact Name: | Delivery Contact: |
| E-mail: | Delivery Telephone: |
| Telephone: | Date: |

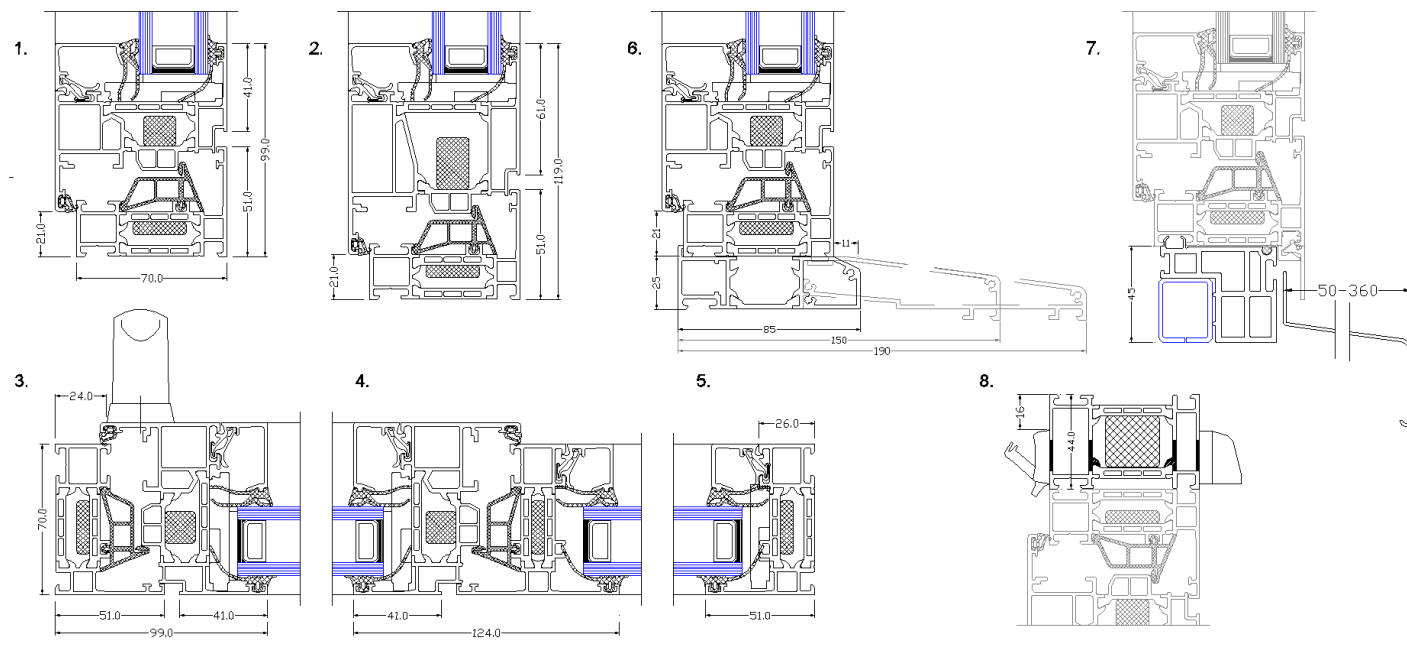
**** Default selections are underlined ****

| | | | |
|--|--|---|---|
| RAL colour: (Single colour only) | | <u>Matt</u> <input type="checkbox"/> Satin <input type="checkbox"/> Gloss <input type="checkbox"/> | Marine/ Swimming pool spc. Yes <input type="checkbox"/> <u>No</u> <input type="checkbox"/> |
| Drainage: <u>Visible</u> (with Black Caps) <input type="checkbox"/> Concealed <input type="checkbox"/> None <input type="checkbox"/> | | Hardware security (refer to size limits): <u>Basic</u> <input type="checkbox"/> RC1 <input type="checkbox"/> RC2 <input type="checkbox"/> RC3 <input type="checkbox"/> | Water tightness (<8m installation height + refer to size limits): <u>7A (300pa)</u> <input type="checkbox"/> 9A (600pa) <input type="checkbox"/> |
| Outer frame: <u>51mm</u> <input type="checkbox"/> 59mm <input type="checkbox"/> 69mm <input type="checkbox"/> 79mm <input type="checkbox"/> 99mm <input type="checkbox"/> | Sash profile (refer to size limits): <u>41mm</u> <input type="checkbox"/> 51mm <input type="checkbox"/> 61mm <input type="checkbox"/> | Handle: <u>Standard design (none key)</u> <input type="checkbox"/> ⇒ RC design key locking <input type="checkbox"/> ⇒ RC design push-button <input type="checkbox"/> ⇒ | Black <input type="checkbox"/> White <input type="checkbox"/> <u>EV1 Silver</u> <input type="checkbox"/> Stainless steel / Stainless steel 'Look' <input type="checkbox"/> |
| Trickle ventilators: <u>No</u> <input type="checkbox"/> Yes <input type="checkbox"/> ⇒ | | Glazed-in (28mm only) ventilator (4103mm ² /m 45mm glass deduction vent per field) Black <input type="checkbox"/> White <input type="checkbox"/> RAL <input type="checkbox"/> Slot vent within 44mm add-on to head: Black <input type="checkbox"/> White <input type="checkbox"/> 2500mm ² (<500mm) <input type="checkbox"/> 5000mm ² (>500mm) <input type="checkbox"/> | |

| | |
|--|--|
| Glass: <u>Unglazed</u> <input type="checkbox"/> Glazed <input type="checkbox"/> ⇒ | 2x4mm Low E Argon thermal spacer black (U= 1.2) <input type="checkbox"/> + TSG <input type="checkbox"/> 2x6mm Low E Argon thermal spacer black (U= 1.2) <input type="checkbox"/> + TSG <input type="checkbox"/> *6.4+4mm Low E Argon thermal spacer black (U= 1.2) <input type="checkbox"/> + TSG (float LSG) <input type="checkbox"/> *6.4+6mm Low E Argon thermal spacer black (U= 1.2) <input type="checkbox"/> + TSG (float LSG) <input type="checkbox"/> |
| Prepared for: <u>28mm</u> <input type="checkbox"/> 32mm <input type="checkbox"/> <60mm <input type="checkbox"/> ⇒ _____mm | |

Design & Section details:

1. Typical section detail (51mm frame & 41mm sash) 2. Typical section detail (51mm frame & 61mm sash), 3. Typical handle jamb, 4. Typical mullion/transom, 5. Typical fixed detail (Int. glazed), 6. Bottom with standard cill options, 7. Bottom with 45mm base profile and commercial cill & 8. Slot-vent within 44mm add-on to head.



| | | | |
|--|---|--|---|
| Tilt/turn - 300 stay Width [Min./Max.]: 470mm/936mm Height [Min./Max.]: 540mm/2500mm Max. weight: 130kg W/H ratio <1.2:1 Subject to security & water tightness rating ** Please refer to separate limits chart** | Tilt/turn - 400 stay Width [Min./Max.]: 570mm/1600mm Height [Min./Max.]: 780mm/2500mm Max. weight: 160kg W/H ratio <1.2:1 Subject to security & water tightness rating ** Please refer to separate limits chart** | Side Hung Width [Min./Max.]: 450mm/1600mm Height [Min./Max.]: 540mm/2500mm Max. weight: 160kg W/H ratio <1.2:1 Subject to security & water tightness rating ** Please refer to separate limits chart** | Bottom Hung (side/top handle) Width [Min./Max.]: 400mm/2100mm Height [Min./Max.]: 480/900mm/2500mm Maximum weight: 60kg/100kg Subject to security & water tightness rating ** Please refer to separate limits chart** |
|--|---|--|---|

Schüco AWS 70.HI (Inward Opening)

ORDER FORM QUOTATION

Please e-mail to: pricing@cotswoldtradealuminium.co.uk



| Item Loc. | Style (Viewed Outside) (Please show division/ mullion/ transom dimensions, T/vents & point to hinge) | Qty | Size (mm) (Overall inc. all add-ons & cills) | Cill (Please select) | | Add-ons (Please select - 26/34/44 or 54mm) | | Glass (Clear / Satin TSG / Bars) | Special / Notes |
|-----------|---|-----|--|--|-----|---|--|--|-----------------|
| | | | | None | 85 | T | | | |
| | | | Width | None | 85 | T | | | |
| | | | | 150 | 190 | B | | | |
| | | | Height | 45mm Base Profile + cill _____mm | | L | | | |
| | | | | R | | | | | |
| | | | Width | None | 85 | T | | | |
| | | | | 150 | 190 | B | | | |
| | | | Height | 45mm Base Profile + cill _____mm | | L | | | |
| | | | | R | | | | | |
| | | | Width | None | 85 | T | | | |
| | | | | 150 | 190 | B | | | |
| | | | Height | 45mm Base Profile + cill _____mm | | L | | | |
| | | | | R | | | | | |
| | | | Width | None | 85 | T | | | |
| | | | | 150 | 190 | B | | | |
| | | | Height | 45mm Base Profile + cill _____mm | | L | | | |
| | | | | R | | | | | |
| | | | Width | None | 85 | T | | | |
| | | | | 150 | 190 | B | | | |
| | | | Height | 45mm Base Profile + cill _____mm | | L | | | |
| | | | | R | | | | | |
| | | | Width | None | 85 | T | | | |
| | | | | 150 | 190 | B | | | |
| | | | Height | 45mm Base Profile + cill _____mm | | L | | | |
| | | | | R | | | | | |
| | | | Width | None | 85 | T | | | |
| | | | | 150 | 190 | B | | | |
| | | | Height | 45mm Base Profile + cill _____mm | | L | | | |
| | | | | R | | | | | |
| | | | Width | None | 85 | T | | | |
| | | | | 150 | 190 | B | | | |
| | | | Height | 45mm Base Profile + cill _____mm | | L | | | |
| | | | | R | | | | | |
| | | | Width | None | 85 | T | | | |
| | | | | 150 | 190 | B | | | |
| | | | Height | 45mm Base Profile + cill _____mm | | L | | | |
| | | | | R | | | | | |