

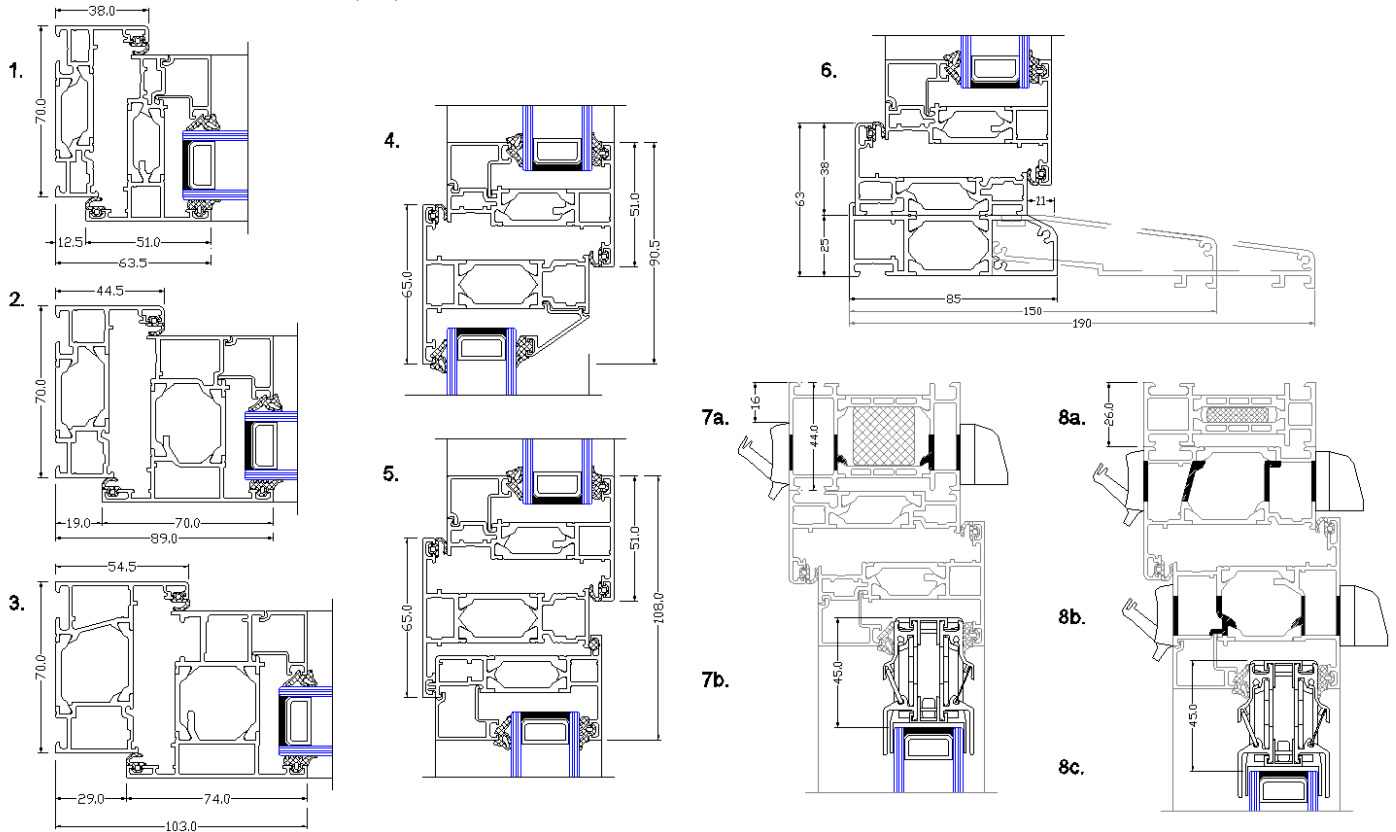
Customer:	Order Reference:
Address:	Delivery / shipping address:
Postcode:	Postcode:
Contact Name:	Delivery Contact:
E-mail:	Delivery Telephone:
Telephone:	Date:

**** Default selections are underlined>****

RAL Colour: (Single colour only)	<u>Matt</u> <input type="checkbox"/> Satin <input type="checkbox"/> Gloss <input type="checkbox"/>	Marine/ Swimming pool spec. Yes <input type="checkbox"/> <u>No</u> <input type="checkbox"/>
Drainage: <u>Visible</u> (frame/gasket notched) <input type="checkbox"/> Concealed <input type="checkbox"/> None <input type="checkbox"/>	Handle colour (standard offset key locking handle): White <input type="checkbox"/> <u>Satin Silver</u> <input type="checkbox"/>	Locking: <u>Multi-point</u> <input type="checkbox"/> without <input type="checkbox"/> (2-stage keeps not available on Heavy duty sash option)
Outer frame: <u>38mm Slimline</u> <input type="checkbox"/> 44.5mm Medium <input type="checkbox"/> 54.5mm Heavy duty <input type="checkbox"/>	Sash profile (refer to size limits below) <u>51mm Slimline</u> <input type="checkbox"/> 70mm Medium <input type="checkbox"/> 74mm Heavy duty <input type="checkbox"/>	Glazing beads: <u>Int./Ext. glazed</u> (sash = Int. / Fixed= Ext.) <input type="checkbox"/> Int. glazed all (fixed reverse adapters)* <input type="checkbox"/>
Trickle ventilators: <u>No</u> <input type="checkbox"/> Yes <input type="checkbox"/> =>	Glazed-in ventilator (4103mm ² /m 45mm glass deduction vent per field) Black <input type="checkbox"/> White <input type="checkbox"/> RAL <input type="checkbox"/> Slot vent: Black <input type="checkbox"/> White <input type="checkbox"/> 2500mm ² (<700mm) <input type="checkbox"/> 5000mm ² (>700mm) <input type="checkbox"/> Head frame profile (>500mm) <input type="checkbox"/> Head sash profile (>500mm) <input type="checkbox"/> within 42mm Add-on to head <input type="checkbox"/>	Hinge protectors: Yes* <input type="checkbox"/> <u>No</u> <input type="checkbox"/> Part Q: Yes* <input type="checkbox"/> <u>No</u> <input type="checkbox"/> (*Selection & window design may alter to comply)
Glass: <u>Unglazed</u> <input type="checkbox"/> Glazed <input type="checkbox"/> =>	2x4mm Low E Argon thermal spacer black (U= 1.2) <input type="checkbox"/> + TSG <input type="checkbox"/> 2x6mm Low E Argon thermal spacer black (U= 1.2) <input type="checkbox"/> + TSG <input type="checkbox"/> *6.4+4mm Low E Argon thermal spacer black (U= 1.2) <input type="checkbox"/> + TSG (float LSG) <input type="checkbox"/> *6.4+6mm Low E Argon thermal spacer black (U= 1.2) <input type="checkbox"/> + TSG (float LSG) <input type="checkbox"/>	Prepared for: <u>28mm</u> <input type="checkbox"/> 32mm <input type="checkbox"/>

Design & Section details:

1. Slimline typical section, 2. Medium typical section, 3. Heavy-duty typical section, 4. Typical mullion/transom (Mixed Int./Ext. glazed), 5. Typical mullion/transom (with fixed reverse adapter Int. glazed), 6. Bottom with cill options. Ventilator Options: 7a. Slimline - vent within 44mm add-on to head, 7b. Slimline - Glazed-In ventilator, 8a. Med./Heavy duty - Vent within head with 26mm add-on to head, 8b. Med./Heavy duty - Vent within sash & 8c. Glazed-In vent.



<p>51mm Slimline sash limits: SH Max: WxH (30kg) = 650mm X 1200mm (12"/20kg opens 60° 16"/30kg opens 90°) TH Max: WxH (50kg) = 1200mm X 1000mm (16"/22kg opens 83° 24"/50kg opens 38°) Min. sash W/H = 380mm</p>	<p>70mm Medium sash limits: SH Max: WxH (42kg) = 700mm X 1400mm (16"/35kg opens 90° 16"/42kg opens 88°) TH Max: WxH (100kg) = 1400mm X 1200mm (16"/50kg opens 30° 24"/100kg opens 20°) Min. sash W/H = 380mm</p>	<p>74mm Heavy duty sash limits: SH Max: WxH (42kg) = 700mm X 1600mm (16"/35kg opens 90° 16"/42kg opens 88°) TH Max: WxH (100kg) = 1800mm X 1800mm (16"/50kg opens 30° 24"/100kg opens 20°) Min. sash W/H = 380mm</p>	<p>Multi-light window designs will be subject to transom/mullion (lxx/lyy) limitations!</p>
---	---	---	---

NOTE: Hinge types: STD = Standard side/ top hung opening, EGR = Egress (customer to ensure min. opening achieved), RES = Restrictor (nominal 100mm)

Ref	Style (Viewed Outside) <small>(Please show division/ mullion/ transom dimensions, T/vents & point to hinge)</small>	Qty	Size (mm) <small>(Overall inc. all add-ons & cills)</small>	Cill <small>(Please select)</small>	Add-ons <small>(Please select - 26/ 34/ 44mm)</small>	Hinge <small>(Please select)</small>	Glass <small>(Clear / Satin TSG / Bars)</small>	Special / Notes
			Width	None	T	STD		
				85	B	EGR		
			Height	150	L	RES		
				190	R			
			Width	None	T	STD		
				85	B	EGR		
			Height	150	L	RES		
				190	R			
			Width	None	T	STD		
				85	B	EGR		
			Height	150	L	RES		
				190	R			
			Width	None	T	STD		
				85	B	EGR		
			Height	150	L	RES		
				190	R			
			Width	None	T	STD		
				85	B	EGR		
			Height	150	L	RES		
				190	R			
			Width	None	T	STD		
				85	B	EGR		
			Height	150	L	RES		
				190	R			
			Width	None	T	STD		
				85	B	EGR		
			Height	150	L	RES		
				190	R			
			Width	None	T	STD		
				85	B	EGR		
			Height	150	L	RES		
				190	R			
			Width	None	T	STD		
				85	B	EGR		
			Height	150	L	RES		
				190	R			