

Customer:	Order Reference:
Address:	Delivery / shipping address:
Postcode:	Postcode:
Contact Name:	Delivery Contact:
E-mail:	Delivery Telephone:
Telephone:	Date:

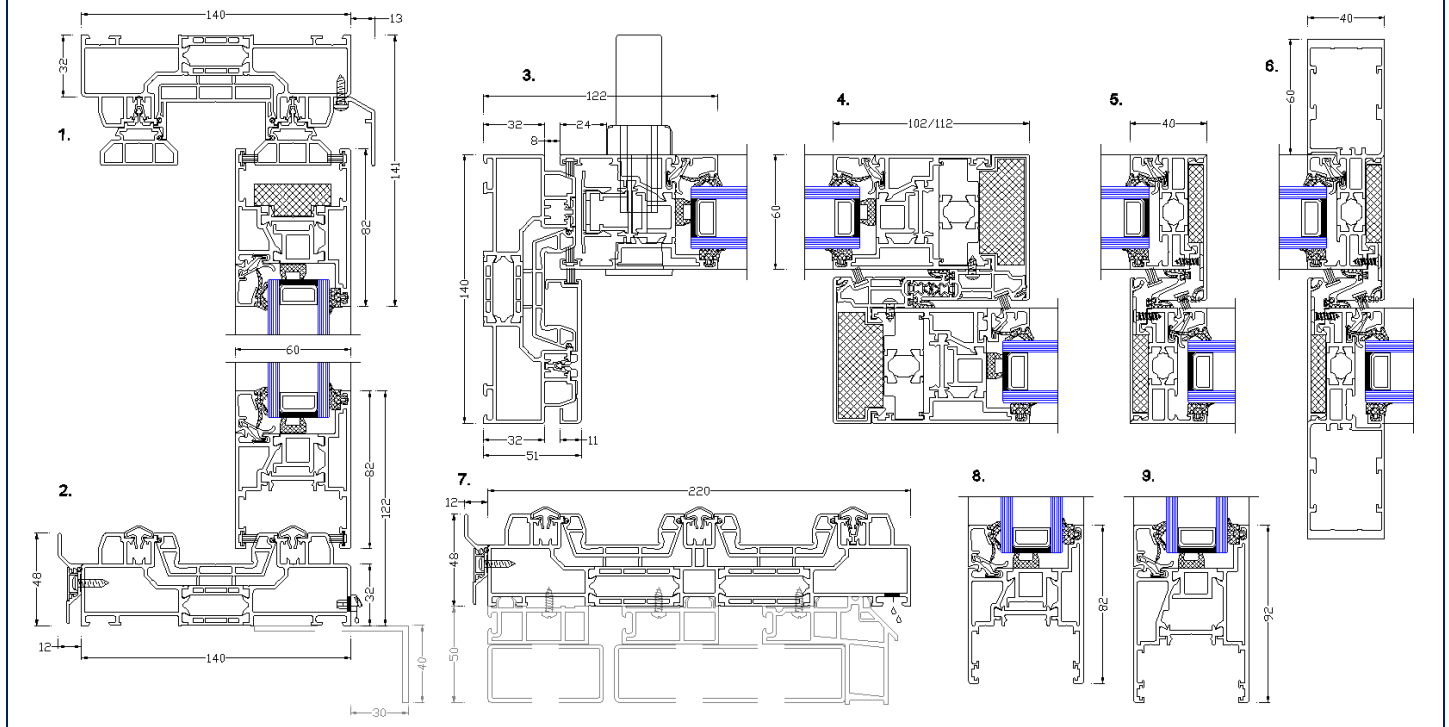
**\*\* Default selections are underlined>\*\***

RAL colour <input type="checkbox"/> (Single colour only)	<u>Matt</u> <input type="checkbox"/> Satin <input type="checkbox"/> Gloss <input type="checkbox"/>	Marine/ Swimming pool spec. Yes <input type="checkbox"/> No <input type="checkbox"/>
Int. Handles: <u>Std. Lever locking</u> <input type="checkbox"/> Std. Lever Non locking <input type="checkbox"/> Ext. Handles: <u>Std. Recessed Grip</u> <input type="checkbox"/> No ext. handles <input type="checkbox"/> Std. Lever locking <input type="checkbox"/> Std. Lever Non locking <input type="checkbox"/>	Handle colour: <u>Black</u> <input type="checkbox"/> White <input type="checkbox"/> Silver anodised <input type="checkbox"/> Stainless steel <input type="checkbox"/>	Cylinders: <u>Standard</u> <input type="checkbox"/> 3-star Security <input type="checkbox"/> <u>Key &amp; Key</u> <input type="checkbox"/> Key & Thumb turn <input type="checkbox"/> <u>Key differ</u> <input type="checkbox"/> Keyed-a-like <input type="checkbox"/> without/own cylinder <input type="checkbox"/>
Trickle ventilators: <u>No</u> <input type="checkbox"/>   Yes <input type="checkbox"/> =>	Glazed-in ventilator (4103mm <sup>2</sup> /m   45mm glass deduction   vent per field) Black <input type="checkbox"/> White <input type="checkbox"/> RAL <input type="checkbox"/> Slot vent within head of inner sliding sash: Black <input type="checkbox"/> White <input type="checkbox"/>   2500mm <sup>2</sup> (<700mm) <input type="checkbox"/> 5000mm <sup>2</sup> (>700mm) <input type="checkbox"/>	

Glass: <u>Unglazed</u> <input type="checkbox"/>   Glazed <input type="checkbox"/> =>	TSG Low E Argon thermal spacer black (U= 1.2): 2x4mm <input type="checkbox"/> 2x6mm <input type="checkbox"/> 2x8mm <input type="checkbox"/>
Prepared for: <u>28mm</u> <input type="checkbox"/> 32mm <input type="checkbox"/> 40mm <input type="checkbox"/>	*TSG & LSG Low E Argon thermal spacer black (U= 1.2): 6.4mm+4mm <input type="checkbox"/> 6.4mm+6mm <input type="checkbox"/> 8.8mm+8mm <input type="checkbox"/>

**Design & Section details:**

1. Head detail 140mm/2-trk frame, 2. Base detail 140mm/2-trk frame (shadow shows optional cill pressing), 3. Jamb detail 140mm/2-trk frame, 4. Standard interlock 200kg/102mm lxx 84.3cm4 (350/500kg/112mm lxx 87.54cm4), 5. Optional slim interlock 40mm lxx 27.05cm4 (not available for Lift-and-Slide 3-track designs), 6. Optional extended slim interlock 40mm lxx 178.33cm4 [steel reinforced lxx 251.23cm4] (not available for Lift-and-Slide 3-track designs), 7. Outer frame 220mm/3-track (shadow shows optional 50mm base profile + steel assembly – available for 2/3-trk frames), 8. 200kg sash/vent profile, 9. 350/500kg sash/vent profile (500kg on request, Lift-and-Slide only).



<p><b>SLIDING / LIFT-AND-SLIDE sash limits</b> (please refer to data sheet charts):                  Width [Min./Max.]: 200kg: 630mm (300kg: 730mm) / 3500mm                  Height [Min./Max.]: Door type (HH=1007mm): 1934mm / 3500mm;                  Window type (HH = 408mm): 1334mm / 2012mm                  Maximum Weight: 200kg/350kg (500kg on request, L-S only)</p>	<p><b>Weather performance</b> (typical values – subject to sizes / statics):                  Air Permeability DIN EN 12207: up to Class 4                  Watertightness DIN EN 12208: up to Class E900                  Wind load resistance DIN EN 12210: up to Class C5/B5                  Burglar resistance DIN V EN 1627: up to Class 2</p>
--	--

Item Loc.	Style (Viewed Outside) (Please indicate master/ slave sash, T/vents & point opening direction)	Qty	Size (mm) (Overall inc. all add-ons & cills)	Opening type: (Please select)	Glazing (Clear/Satin /Bars/Panel)	Special / Notes
				Interlock: (Please select)		
				Cill / Base (Please select)		

			Width	SLIDING			
				LIFT-AND-SLIDE			
				Standard 102/112mm			
				Slim 40mm <small>(not available for Lift-and-Slide 3-track designs)</small>			
			Height	Extended Slim 40mm <small>(not available for Lift-and-Slide 3-track designs)</small>			
					Frame only		
					Frame + Cill pressing		
					Frame + 50mm base profile		

			Width	SLIDING			
					LIFT-AND-SLIDE		
				Standard 102/112mm			
				Slim 40mm <small>(not available for Lift-and-Slide 3-track designs)</small>			
			Height	Extended Slim 40mm <small>(not available for Lift-and-Slide 3-track designs)</small>			
					Frame only		
					Frame + Cill pressing		
					Frame + 50mm base profile		

			Width	SLIDING			
					LIFT-AND-SLIDE		
				Standard 102/112mm			
				Slim 40mm <small>(not available for Lift-and-Slide 3-track designs)</small>			
			Height	Extended Slim 40mm <small>(not available for Lift-and-Slide 3-track designs)</small>			
					Frame only		
					Frame + Cill pressing		
					Frame + 50mm base profile		

			Width	SLIDING			
					LIFT-AND-SLIDE		
				Standard 102/112mm			
				Slim 40mm <small>(not available for Lift-and-Slide 3-track designs)</small>			
			Height	Extended Slim 40mm <small>(not available for Lift-and-Slide 3-track designs)</small>			
					Frame only		
					Frame + Cill pressing		
					Frame + 50mm base profile		

			Width	SLIDING			
					LIFT-AND-SLIDE		
				Standard 102/112mm			
				Slim 40mm <small>(not available for Lift-and-Slide 3-track designs)</small>			
			Height	Extended Slim 40mm <small>(not available for Lift-and-Slide 3-track designs)</small>			
					Frame only		
					Frame + Cill pressing		
					Frame + 50mm base profile		