

Schüco ADS 70.HI (Single/Double door)

ORDER FORM QUOTATION

Please e-mail to: pricing@cotswoldtradealuminium.co.uk

Customer:	Order Reference:
Address:	Delivery / shipping address:
Postcode:	Postcode:
Contact Name:	Delivery Contact:
E-mail:	Delivery Telephone:
Telephone:	Date:

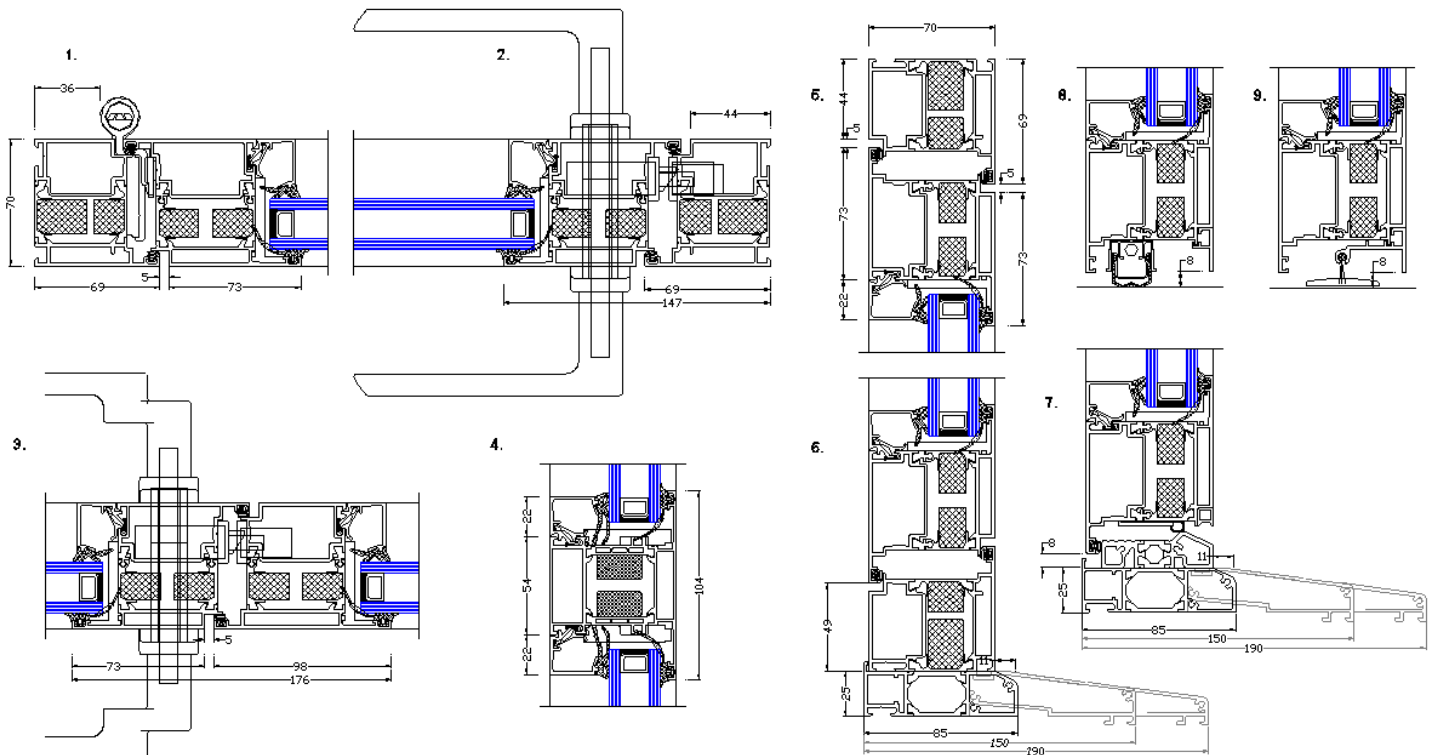
**** Default selections are underlined>****

RAL Colour: (Single colour only)	<u>Matt</u> <input type="checkbox"/> Satin <input type="checkbox"/> Gloss <input type="checkbox"/>	Marine/ Swimming pool spec. Yes <input type="checkbox"/> <u>No</u> <input type="checkbox"/>
Drainage: <u>Visible</u> (frame/gasket notched) <input type="checkbox"/> Concealed <input type="checkbox"/> None <input type="checkbox"/>	Part Q: Yes* <input type="checkbox"/> <u>No</u> <input type="checkbox"/> (*Selection & window design may alter to comply)	Concealed closer (Dorma ITS 96 N 2-4): Yes <input type="checkbox"/> <u>No</u> <input type="checkbox"/>
Handle: <u>Standard Lever</u> <input type="checkbox"/> ⇒ Cranked Lever <input type="checkbox"/> ⇒ Handle & Cylinder Escutcheon base: Square <input type="checkbox"/> Oval <input type="checkbox"/>	Handle & Cylinder Escutcheon base colour: 9005 Black <input type="checkbox"/> EV1 Silver <input type="checkbox"/> 9010 White <input type="checkbox"/> Stainless steel <input type="checkbox"/>	Barrel hinges colour: <u>9005 Black</u> <input type="checkbox"/> EV1 Silver <input type="checkbox"/> 9010 White <input type="checkbox"/> Stainless steel <input type="checkbox"/>
	SAFEMATIC, 5-pt Bolt multi-point lock: <u>Standard</u> <input type="checkbox"/> with bolt/alarm monitoring <input type="checkbox"/> with electronic operation <input type="checkbox"/> with elec. & bolt monitoring <input type="checkbox"/>	Cylinders: <u>Standard</u> <input type="checkbox"/> 3-star Security * <input type="checkbox"/> <u>Key & Key</u> <input type="checkbox"/> Key & Thumb turn <input type="checkbox"/> <u>Key differ</u> <input type="checkbox"/> Keyed-a-like <input type="checkbox"/> ** Door Control System (DCS), BlueCon, Fingerprint & automation – on request separately **
Trickle ventilators: <u>No</u> <input type="checkbox"/> Yes <input type="checkbox"/> ⇒	Glazed-in ventilator (4103mm ² /m 45mm glass deduction vent per field) Black <input type="checkbox"/> White <input type="checkbox"/> RAL <input type="checkbox"/> Slot vent within 44mm add-on to head: Black <input type="checkbox"/> White <input type="checkbox"/> 2500mm ² (<700mm) <input type="checkbox"/> 5000mm ² (>700mm) <input type="checkbox"/>	

Glass: <u>Unglazed</u> <input type="checkbox"/> Glazed <input type="checkbox"/> ⇒	TSG Low E Argon thermal spacer black (U= 1.2): 2x4mm <input type="checkbox"/> 2x6mm <input type="checkbox"/>
Prepared for: 24mm <input type="checkbox"/> <u>28mm</u> <input type="checkbox"/> 32mm <input type="checkbox"/>	*TSG & LSG Low E Argon thermal spacer black (U= 1.2): 6.4mm+4mm <input type="checkbox"/> 6.4mm+6mm <input type="checkbox"/>

Design & Section details:

Standard duty 1. Open IN hinge jamb, 2. Open IN handle locking jamb, 3. Double door centre section, 4. 104mm Midrail (76 - 250mm available), 5. Open IN head detail, 6. Full frame threshold with cill options, 7. Low alu threshold with/without cill options, 8. Automatic no threshold, 9. Brush/ gasket no threshold.



Standard duty sash limits: Width [Min./Max.]: 800mm/1200mm Height [Min./Max.]: 1800mm/2500mm Maximum Weight: 150kg	Heavy duty sash limits (profiles differ from above): Width [Min./Max.]: 800mm/1400mm Height [Min./Max.]: 1800mm/3000mm Maximum Weight: 200kg	Low threshold / no threshold designs have low / limited weather performance. Multi-light designs will be subject to profile (lxx/lyy) limitations!
---	---	---

Schüco ADS 70.HI (Single/Double door)

ORDER FORM QUOTATION

Please e-mail to: pricing@cotswoldtradealuminium.co.uk



Item Loc.	Style (Viewed Outside) (Please show division/ mullion/ transom dimensions, T/vents, master/ slave sash & point to hinge)	Qty	Size (mm) (Overall inc. all add-ons & cills)	Threshold (Please select)			Add-ons (Please select -26 / 44mm)	Glazing (Clear/Satin /Bars/Panel)	Special / Notes
		Open		Cill (Please select)					
			Width	Full frame		None Auto		T	
				Low alu		None Brush/ Gasket		B	
		IN	Height	None				L	
				85		135			
		OUT		150		190		R	
				225					

			Width	Full frame		None Auto		T	
				Low alu		None Brush/ Gasket		B	
		IN	Height	None				L	
				85		135			
		OUT		150		190		R	
				225					

			Width	Full frame		None Auto		T	
				Low alu		None Brush/ Gasket		B	
		IN	Height	None				L	
				85		135			
		OUT		150		190		R	
				225					

			Width	Full frame		None Auto		T	
				Low alu		None Brush/ Gasket		B	
		IN	Height	None				L	
				85		135			
		OUT		150		190		R	
				225					

			Width	Full frame		None Auto		T	
				Low alu		None Brush/ Gasket		B	
		IN	Height	None				L	
				85		135			
		OUT		150		190		R	
				225					

			Width	Full frame		None Auto		T	
				Low alu		None Brush/ Gasket		B	
		IN	Height	None				L	
				85		135			
		OUT		150		190		R	
				225					